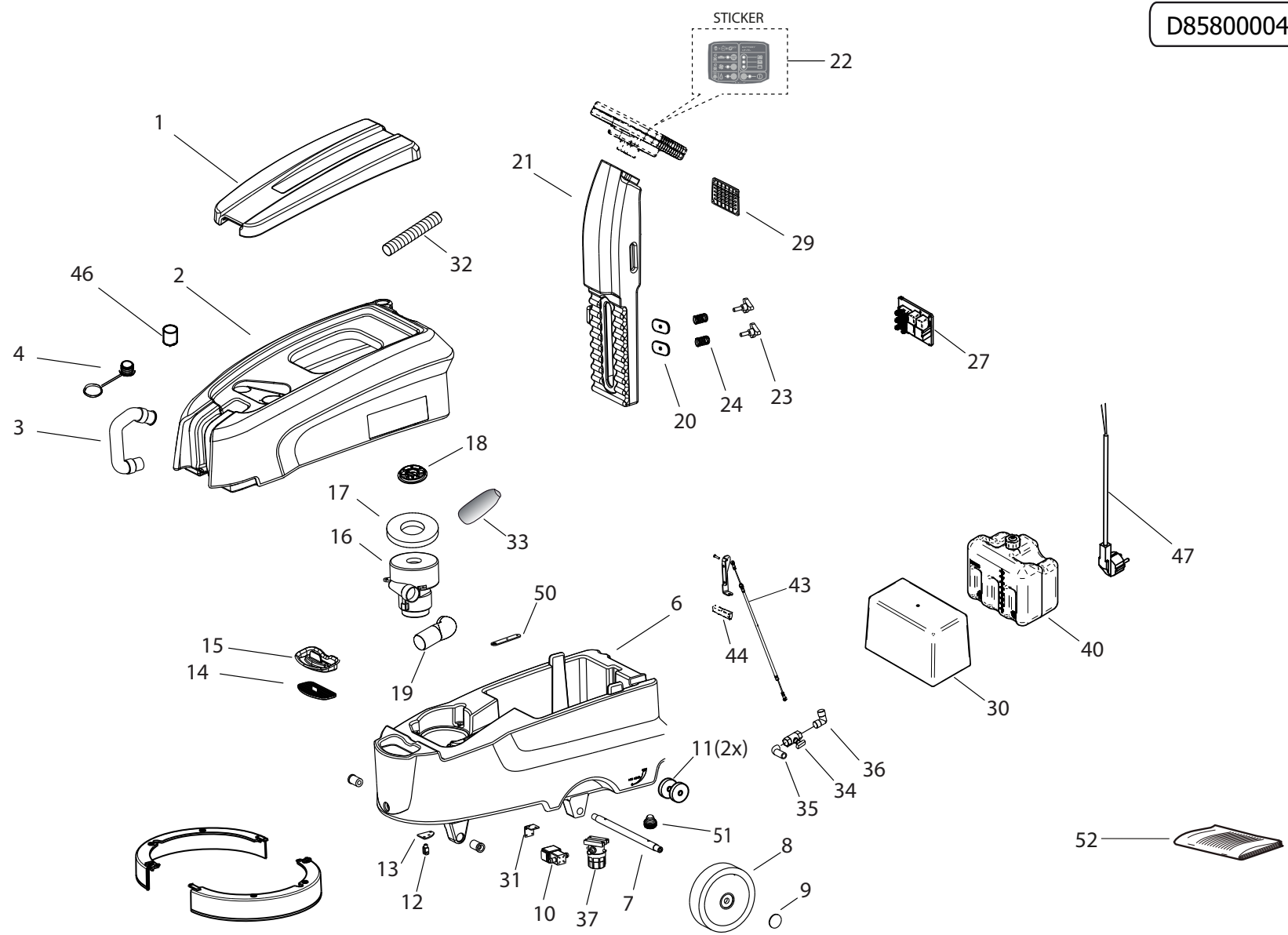


D85800004/02



A4 45E 230V/50Hz BLU/GR.SC. FASA - Content filters: validity 09/03/2021

R85800004 - A4 45E 230V/50Hz BLU/GR.SC. FASA

Validity: from 23/11/2016 to 31/12/9999



Pos.	Code	Substituted by	Q.ty	Purchasable	Min. Q.ty	For mainten.	Description
0	R55092187		1	No			GRUPPO PIATTO SPAZZOLA DYNAMIC ELETTRICA
0	R55110084		1	No			ASSIEME SQG DYNAMIC
0	R55111941		1	No			ASSIEME SPAZZOLA PPL MOD 430 SX - SETOLE DIRITTE DYNAMIC
0	R55111947		1	No			ASSIEME IMPUGNATURA DYNAMIC C/LEVE PRESENZA OPERATORE -G-PANT.108C
0	R55111965		1	No			ASSIEME GALLEGGIANTE DYNAMIC
001	4.508.1307	5.511.1951	1	Yes	1		DARK GREY CAP FOR UPPER TANK
002	4.508.1326		1	Yes	1		UPPER TANK DYNAMIC
003	3.752.0290		1	Yes	1	EXT	EXHAUST PIPE L=30cm
004	4.208.0274		1	Yes	1	EXT	DIAM.32mm CAP
006	4.508.1309	6.505.0079	1	Yes	1		DARK GREY LOWER TANK
007	4.507.1574		1	Yes	1		WHEEL SHAFT
008	3.006.0167		2	Yes	1		WHEEL D.200
009	3.099.1066		2	Yes	1		CAP FOR WHEEL - GREY
011	3.006.0075		2	Yes	1	EXT	SQUEEGEE WHEEL D.50X21 D.8
012	4.507.1577		1	Yes	1		LEVER STOP BRACKET
013	3.099.0337		1	Yes	1		WATER GEAR CONTROL M6+CLIP
014	4.508.1313		1	Yes	1		TANK GRID FILTER
015	4.508.1312		1	Yes	1		TANK CAP
016	3.755.0013		1	Yes	1	EXT	TWO STAGE SUCTION MOTOR 230V 650W
017	4.508.0123		1	Yes	1		SUCTION MOTOR GASKET
018	4.508.0518		1	Yes	1		PROTECTION
019	4.508.1648		1	Yes	1		CURVA 90GR IN GOMMA COMFORT XXS
020	4.507.1600	6.505.0102	2	Yes	1		HANDLE FIXING PLATE
021	4.508.1310		1	Yes	1		DARK GREY STEERING COLUMN
022	7.503.1809		1	Yes	1		PANEL STICKER DYNAMIC (stop water function)
023	3.099.2014	6.505.0102	2	Yes	1		KNOB
024	4.507.1076		2	Yes	1		SPRING
027	3.403.0373		1	Yes	1		CONTROL BOARD (water stop function) - DYNAMIC
029	4.508.1317		1	Yes	1		ELECTRIC BOX COVER
030	7.002.0404		1	Yes	1		SPESSORE POLISTIROLO PER DYNAMIC
032	3.752.0293		1	Yes	1		TUBO SIFONE DYNAMIC

A4 45E 230V/50Hz BLU/GR.SC. FASA - Content filters: validity 09/03/2021



R85800004 - A4 45E 230V/50Hz BLU/GR.SC. FASA

Validity: from 23/11/2016 to 31/12/9999

09/03/2021

Page 2 / 3

Pos.	Code	Substituted by	Q.ty	Purchasable	Min. Q.ty	For mainten.	Description
033	4.508.1649		1	Yes	1	ORD	FILTRO SPUGNA INSONORIZZANTE COMFORT XXS
034	3.105.0018		1	Yes	1		FAUCET
035	3.100.0218		1	Yes	1		HOSE FITTING UNION ELBOW
036	3.100.0357		1	Yes	1		ELBOW 1/2'M 1/2'M
040	5.511.1939		1	Yes	1		BALLAST
043	3.099.1893		1	Yes	1	EXT	SQUEEGEE LIFT CABLE
044	4.508.0944		1	Yes	1		HANDLE
046	4.508.1086		1	Yes	1	ORD	FILTER SUCTION
047	3.499.0394		1	Yes	1	EXT	MAIN POWER CABLE L=1 MT WITH SCHUKO PLUG
050	4.507.1582		1	Yes	1		PIASTRA PASSAGGIO CAVO SOLLEVAMENTO SQG DYNAMIC
051	5.511.0937		1	Yes	1	EXT	TANK DRAIN CAP ASSY
052	7.504.0282		1	Yes	1		MANUAL DYNAMIC/A4/LEONIS